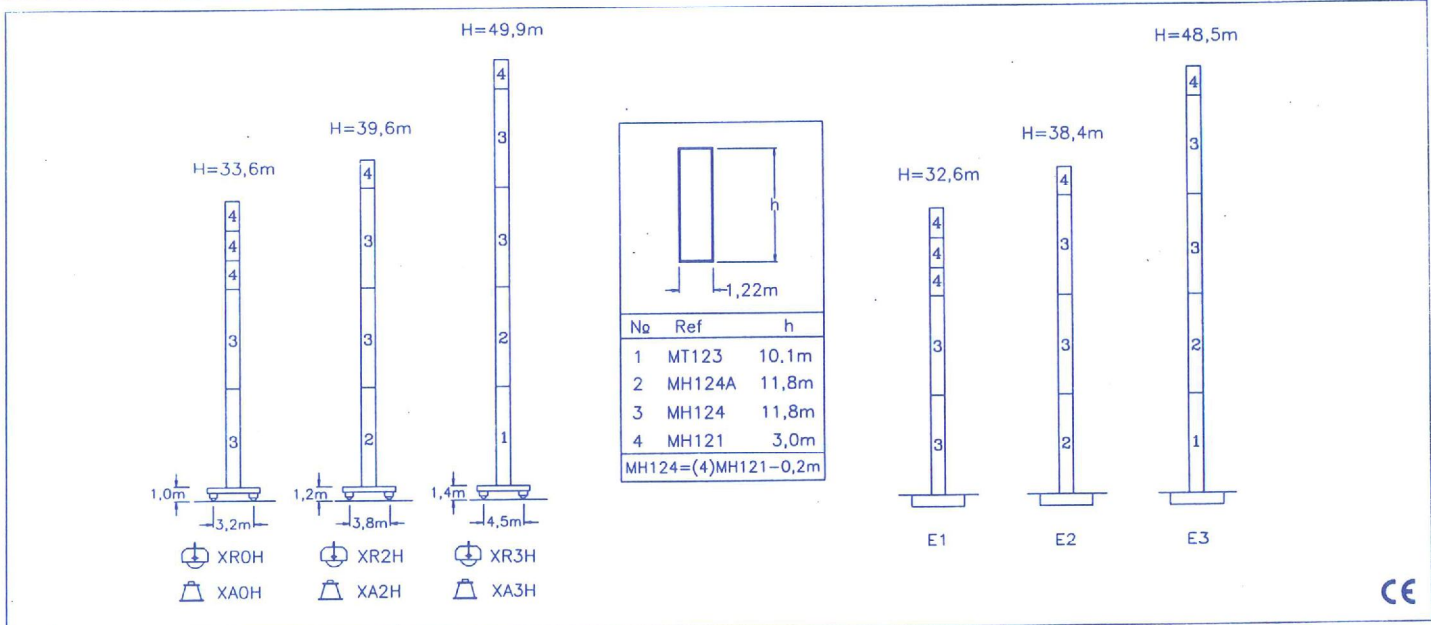
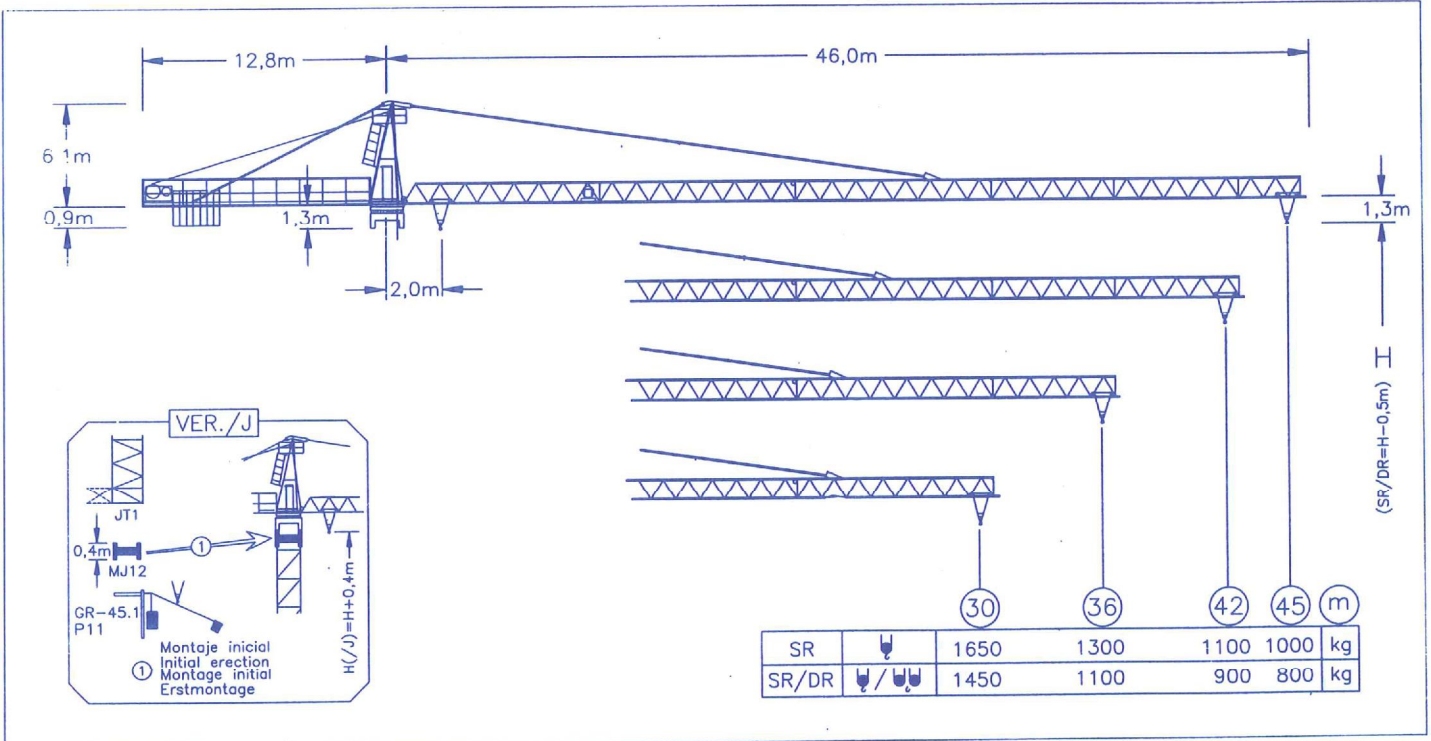




# COMANSA

## NT - 45100/B



R	R(Cmax)	C(max)	18	21	24	27	30	33	36	39	42	45m
45	SR	25,2m	2000	2000	2000	2000	1850	1630	1460	1310	1190	1090kg
	SR/DR	12,0m	4000	2630	2190	1850	1600	1400	1230	1100	980	800kg
42	SR	25,4m	2000	2000	2000	2000	1860	1650	1470	1330	1200	1100kg
	SR/DR	12,7m	4000	2670	2220	1880	1620	1420	1250	1120	1000	900kg
36	SR	25,0m	2000	2000	2000	2000	1830	1610	1440	1300kg		
	SR/DR	12,6m	4000	2630	2190	1860	1600	1400	1240	1100kg		
30	SR	25,4m	2000	2000	2000	2000	1870	1650kg				
	SR/DR	12,7m	4000	2700	2260	1920	1660	1450kg				